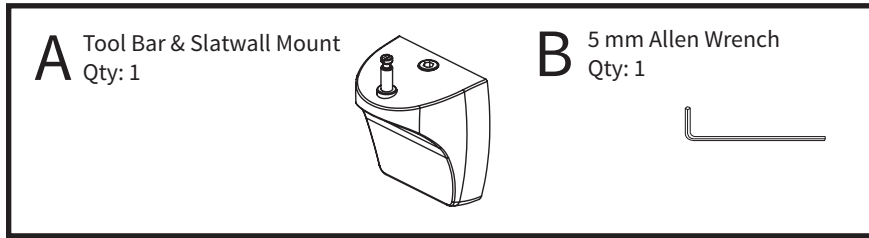
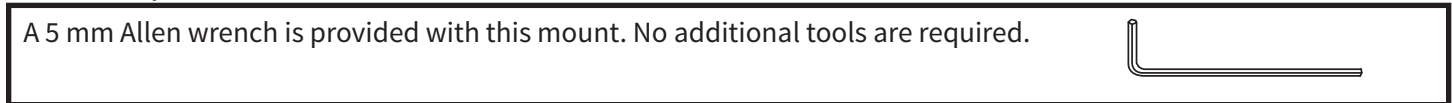


# Installation Instructions: Desk Light Tool Bar & Slatwall Mount LTG-TSB-ADJ-S

## Parts Included

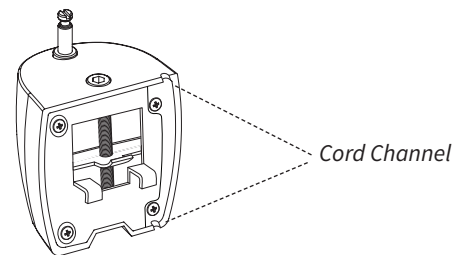


## Tools Required



### 1 Route the Desk Light Power Cable

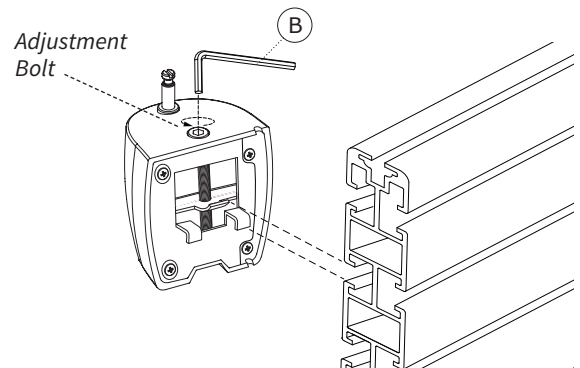
Place the compatible Workrite Desk Light power cord through the Cord Channel at the back edge of the mount.



### 2 Attach the Mount

Using the included Allen Wrench (B), adjust the Adjustment Bolt height to slightly smaller than the Slatwall or Tool Bar slot that you intent to mount the light on.

Be sure the bracket is capable of gripping both the top and bottom of the Slatwall or Tool Bar.



### 3 Secure the Mount

Position the mount in your desired location. Once the clamping bolt is tightened the mount will not be able to move along the rail unless it is loosened again.

Using the Allen Wrench (B), tighten by turning the Clamping Bolt clockwise until secure.

Consult the instructions that came with your light for additional installation instructions.

